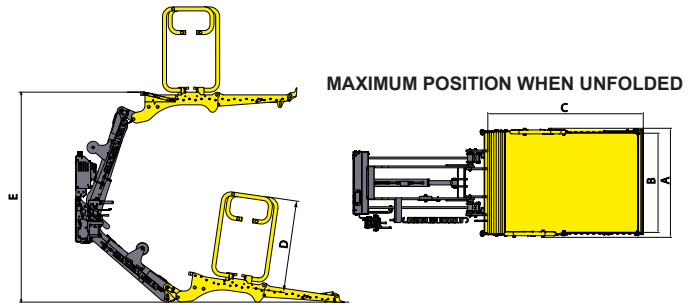


KV5b

LIFT



	32855J24	32855K24
A Total width of the platform	880 mm	880 mm
B Net width of the platform	800 mm	800 mm
C Net length of the platform	1245 mm	1245 mm
D Net height of the railings	745 mm	745 mm
E Maximum lift height	1694 mm	1842 mm



DESCRIPTION

- Vertical hydraulic lift for coaches, with maximum space efficiency.
- Version 1600 / 1800
- Maximum lift height: 1694 / 1842 (mm)
- Total weight: 178Kg / 182Kg
- Maximum load: 350Kg
- Power supply: 24v / 50A (max.)
- Intended for class II and III vehicles.
- According to Reglament R107.
- Double effect cylinder

ADVANTATGES

- Easy operation by means of control command.
- Installed behind rear axis.
- Easy operation in manual mode in case of a power supply failure.
- Easy installation.
- High load capacity.
- Simple and robust.
- Easy platform folding and stowing.
- Same speed when loaded or empty.